

**POLFLAM**<sup>®</sup>  
FIRE RESISTANT GLASS



**FIRE-RESISTANT GLASS IN TIMBER STRUCTURES**

I POLFLAM is an independent manufacturer of fire protection glass: beginning with technology through research – down to production. I POLFLAM fire protection glass is made in modern hydrogel technology. It allows you to obtain glass of exceptional functionality.

On the European market, I POLFLAM brand is today an unquestionable synonym of product quality.

### Colours available



### Glass variants



- large glass sheets
- glass sheets of non-standard shapes
- bent fire-resistant glass in each EI class
- high acoustic insulation  $R_w$
- high light transmittance factor  $L_t$
- UV radiation resistance – no need of PVB film
- highest safety class 1/B/1 (acc. PN-EN 12600)
- resistance to temperatures from  $-40^{\circ}\text{C}$  to  $+50^{\circ}\text{C}$
- symmetrical design
- fitting-friendly glass (blunted edges, no need of positioning)
- high water resistance (no need of protecting glass edges)
- high impact resistance – toughened glass
- lower weight than multi-layered fire-resistant glass
- possibility to combine with most float glass of high thermal properties available in the market (solar control, light transmittance, thermal insulation) = improved building's energy balance

POLFLAM® fire-resistant glass is tested in certified research institutes across Europe.



With a fire resistance test furnace installed at our production facility POLFLAM® can test new solutions in accordance with European standards.



## POLFLAM glass in timber structures

POLFLAM glass is installed in traditional timber joinery systems. It can be used both outdoors and indoors. In the timber, POLFLAM glass panels of various geometric shapes (arched, triangles, etc.) are installed.

POLFLAM glass	EI 15	EW 30	EI 30	EI 60		EI 90	EI 120*	EI 180*
Thickness [mm]	16	16	20	25	28	32	35	55
Weight [kg/m <sup>2</sup> ]	33	33	38	45	49	52	57	83
Light transmittance [Lt%]	86,0	86,0	87,6	87,1	86,0	85,8	85,5	85,3
Sound reduction Rw [dB]	<b>41</b>	<b>41</b>	<b>42</b>	<b>44</b>	<b>45</b>	<b>44</b>	<b>45</b>	<b>45</b>
Safety class	1/B/1 (acc. to PN-EN 12600)							
Operating temperature range	-40°C / +50°C							
Bent glass	yes							

\* Tests for resistance to fire are possible to conduct.

*This brochure gives a brief overview of the possibilities for POLFLAM fire resistant glass in timber systems. For the correct installation details and instructions the classification or test report from the tested construction should be consulted.*

*Please contact your local POLFLAM specialist for more information*

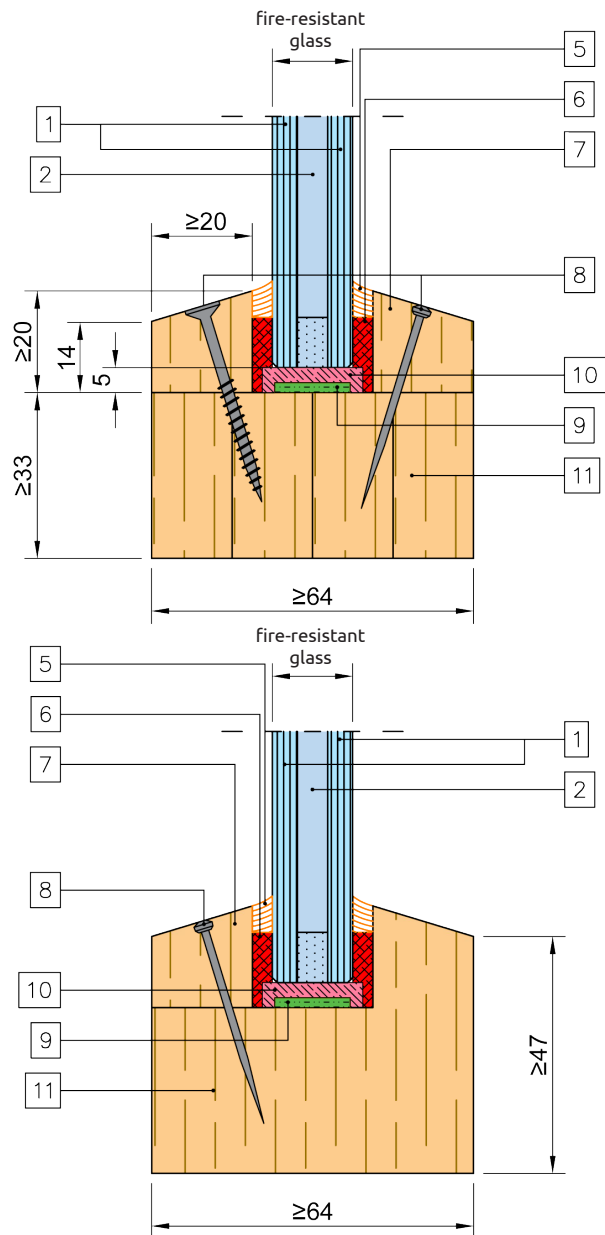
# LIST OF PRODUCTS

## POLFLAM glass in timber structures

Product	Fire resistance class	Thickness glass	Max. glass dimensions - portrait [mm] (max. surface area)	Max. glass dimensions - landscape [mm] (max. surface area)	System	Page
POLFLAM EI 15	EI 15	16 mm	1500 x 3000 ( $A_{max} = 4,5 \text{ m}^2$ )	2310 x 1500 ( $A_{max} = 3,47 \text{ m}^2$ )	Partition wall	5
POLFLAM EW 30	EW 30	16 mm	1500 x 3000 ( $A_{max} = 4,5 \text{ m}^2$ )	2540x1500 ( $A_{max} = 3,81 \text{ m}^2$ )	Partition wall	6
POLFLAM EI 30	EI 30	20 mm	1800 x 4200 ( $A_{max} = 6,35 \text{ m}^2$ )	3600 x 1800 ( $A_{max} = 5,45 \text{ m}^2$ )	Partition wall	7
POLFLAM EI 30 DGU	EI 30	20 mm	1800 x 4200 ( $A_{max} = 6,35 \text{ m}^2$ )	3600 x 1800 ( $A_{max} = 5,45 \text{ m}^2$ )	Partition wall	8
POLFLAM EI 30 TGU	EI 30	20 mm	1800 x 4200 ( $A_{max} = 6,35 \text{ m}^2$ )	3600 x 1800 ( $A_{max} = 5,45 \text{ m}^2$ )	Partition wall	9
POLFLAM EI 30	EI 30	20 mm	1500 x 3000 ( $A_{max} = 4,5 \text{ m}^2$ )	1500 x 3000 ( $A_{max} = 4,5 \text{ m}^2$ )	Partition wall	10
POLFLAM EI 30	EI 30	20 mm	658 x 1638	658 x 1638	Door	11
POLFLAM EI 45	EI 45	25 mm	907 x 1980	907 x 1980	Door	12
POLFLAM EI 60	EI 60	28 mm	1500 x 3000 ( $A_{max} = 4,5 \text{ m}^2$ )	1500 x 3000 ( $A_{max} = 4,5 \text{ m}^2$ )	Partition wall	13
POLFLAM EI 60 DGU	EI 60	25 mm	1526 x 1828	1526 x 1828	Partition wall	14
POLFLAM EI 60	EI 60	25 mm	1090 x 2290	1090 x 2290	Partition wall	15
POLFLAM EI 60	EI 60	28 mm	1800 x 4200 ( $A_{max} = 6,35 \text{ m}^2$ )	3600 x 1800 ( $A_{max} = 5,45 \text{ m}^2$ )	Partition wall	16
POLFLAM EI 60 DGU	EI 60	28 mm	1800 x 4200 ( $A_{max} = 6,35 \text{ m}^2$ )	3600 x 1800 ( $A_{max} = 5,45 \text{ m}^2$ )	Partition wall	17
POLFLAM EI 60 TGU	EI 60	28 mm	1800 x 4200 ( $A_{max} = 6,35 \text{ m}^2$ )	3600 x 1800 ( $A_{max} = 5,45 \text{ m}^2$ )	Partition wall	18
POLFLAM EI 90	EI 90	32 mm	270 x 1625	-	Partition wall	19
POLFLAM EI 90	EI 90	34 mm	2150 x 3300	-	Partition wall	20
POLFLAM BR EI 30	EI 30	30 mm	2400 x 4200 ( $A_{max} = 8,47 \text{ m}^2$ )	2400 x 4200 ( $A_{max} = 8,47 \text{ m}^2$ )	Partition wall	22
POLFLAM BR EI 30	EI 30	30 mm	2200 x 4200	2200 x 4200	Partition wall	23-25
POLFLAM BR EI 60	EI 60	35 mm	2200 x 3850 ( $A_{max} = 7,70 \text{ m}^2$ )	2200 x 3850 ( $A_{max} = 7,70 \text{ m}^2$ )	Partition wall	26-28

# POLFLAM EI 15

## Installation of POLFLAM glass in timber structures

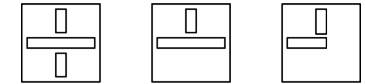


### POLFLAM EI 15 (16 mm)

#### Partition wall

max. glass dimensions	1500 mm x 3000 mm ( $A_{max} = 4,5 \text{ m}^2$ ) - portrait
	2310 mm x 1500 mm ( $A_{max} = 3,47 \text{ m}^2$ ) - landscape

reference document: Test report LBO-058-N/20



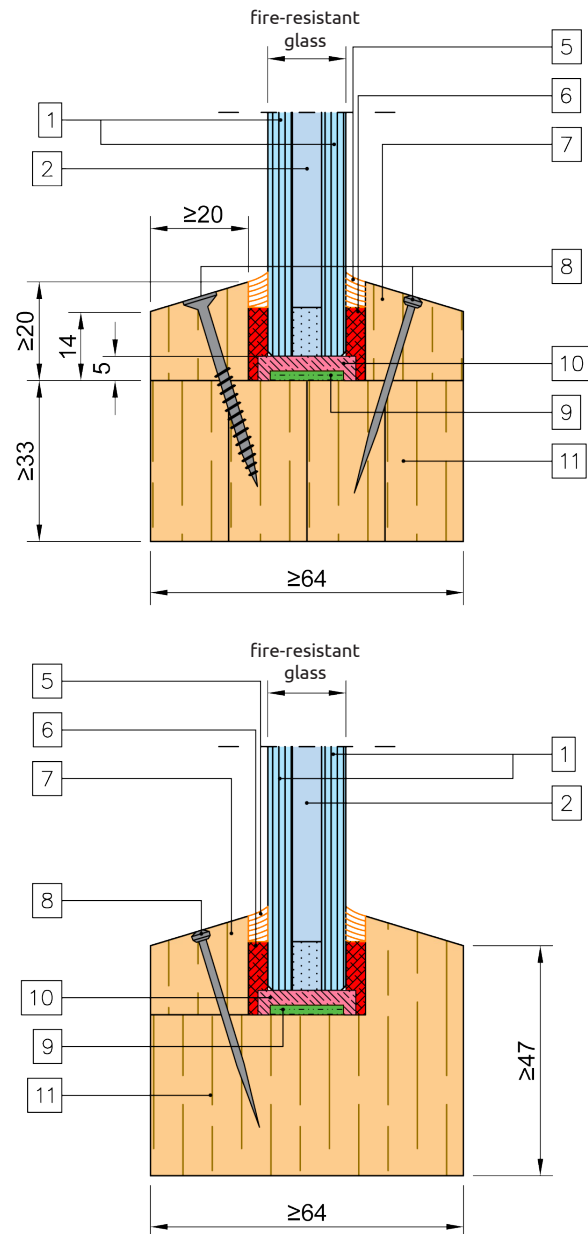
1	thermally toughened glass $\geq 5 \text{ mm}$ thickness thermally toughened patterned glass $\geq 6 \text{ mm}$ thickness (individual panes can be tinted, coated, surface treated)
2	hydrogel interlayer $\geq 6 \text{ mm}$ thickness
5	silicon Dowsil 791
6	ceramic tape KERAFIX 2000 15 x 4 mm
7	glazing bead $\geq 20 \text{ mm} \times 20/14 \text{ mm}$ , timber 560 kg/m <sup>3</sup>
8	nail $\varnothing 1,6 \times 40 \text{ mm}$ or screw $\varnothing 3,5 \times 40 \text{ mm}$ (50 mm from the corner and every 200 mm)
9	intumescent tape KERAFIX FXL200 20 x 2 mm
10	supporting block 5 mm
11	laminated or solid timber 560 kg/m <sup>3</sup>

#### Allowed supported construction

concrete wall

# POLFLAM EW 30

## Installation of POLFLAM glass in timber structures

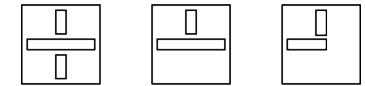


### POLFLAM EW 30 (16 mm)

#### Partition wall

max. glass dimensions	1500 mm x 3000 mm ( $A_{max} = 4,5 \text{ m}^2$ ) - portrait
	2540 mm x 1500 mm ( $A_{max} = 3,81 \text{ m}^2$ ) - landscape

reference document: Test report LBO-058-N/20



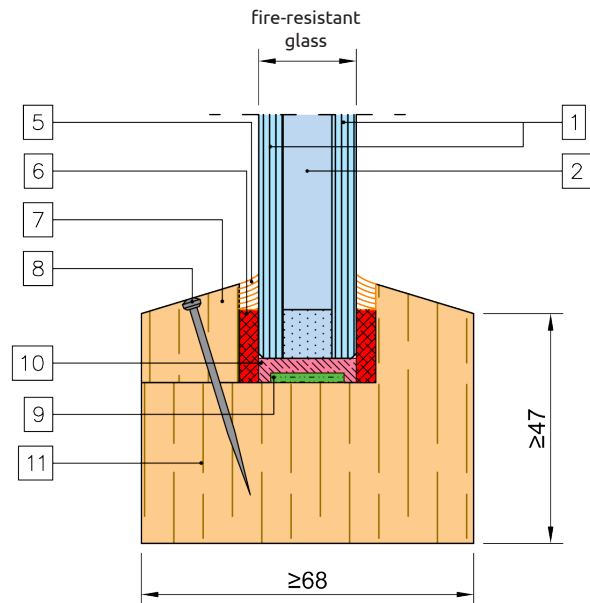
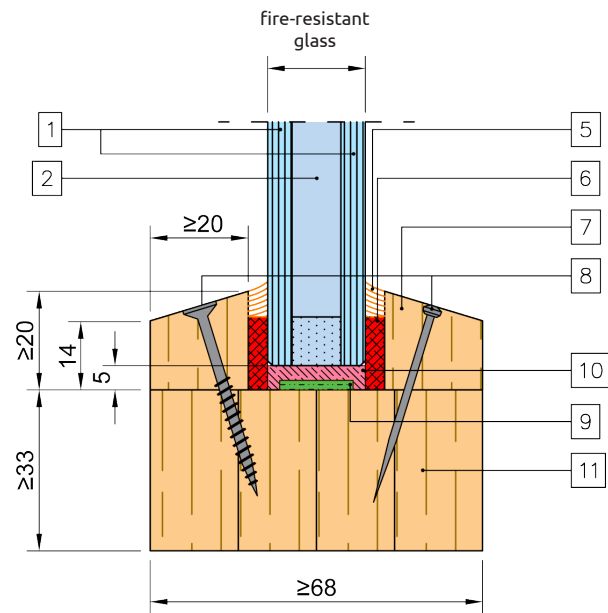
1	thermally toughened glass $\geq 5 \text{ mm}$ thickness thermally toughened patterned glass $\geq 6 \text{ mm}$ thickness (individual panes can be tinted, coated, surface treated)
2	hydrogel interlayer $\geq 6 \text{ mm}$ thickness
5	silicon Dowsil 791
6	ceramic tape KERAFIX 2000 15 x 4 mm
7	glazing bead $\geq 20 \text{ mm} \times 20/14 \text{ mm}$ , timber 560 kg/m <sup>3</sup>
8	nail $\varnothing 1,6 \times 40 \text{ mm}$ or screw $\varnothing 3,5 \times 40 \text{ mm}$ (50 mm from the corner and every 200 mm)
9	intumescent tape KERAFIX FXL200 20 x 2 mm
10	supporting block 5 mm
11	laminated or solid timber 560 kg/m <sup>3</sup>

#### Allowed supported construction

concrete wall

# POLFLAM EI 30

## Installation of POLFLAM glass in timber structures

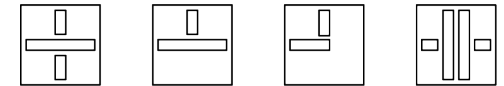


### POLFLAM EI 30 (20 mm)

#### Partition wall

max. glass dimensions	1800 mm x 4200 mm ( $A_{\max} = 6,35 \text{ m}^2$ ) - portrait
	3600 mm x 1800 mm ( $A_{\max} = 5,45 \text{ m}^2$ ) - landscape

reference document: in development



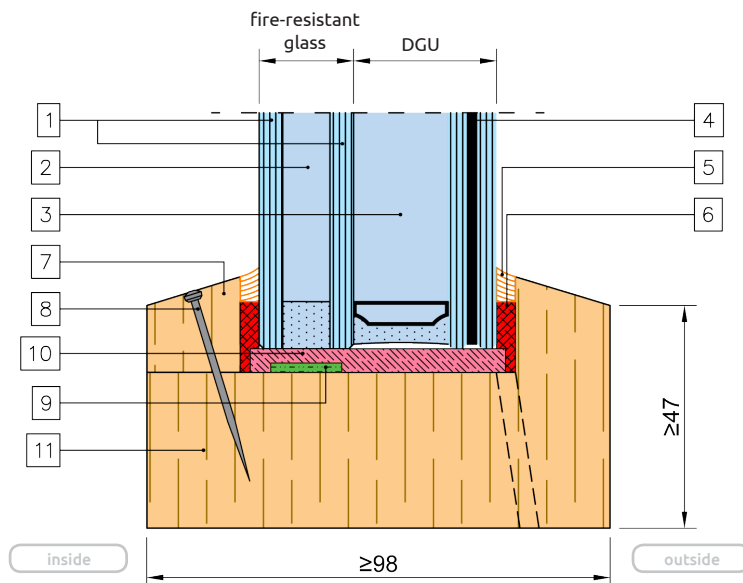
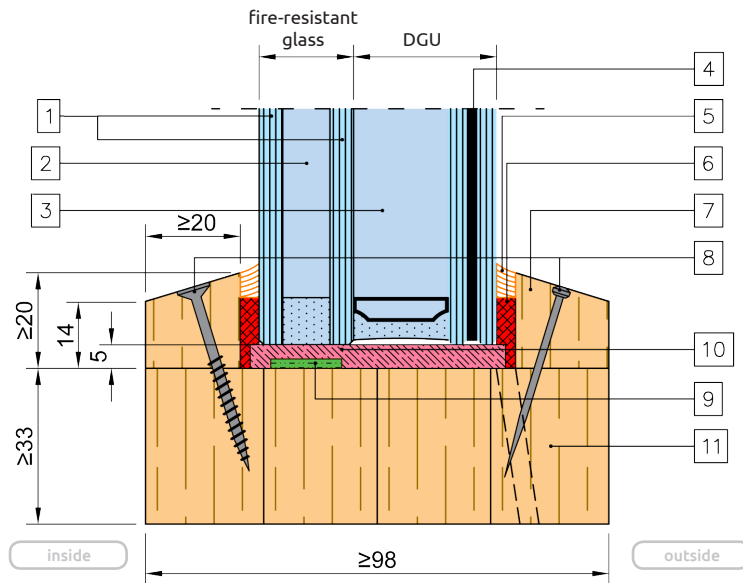
1	thermally toughened glass $\geq 5 \text{ mm}$ thickness thermally toughened patterned glass $\geq 6 \text{ mm}$ thickness (individual panes can be tinted, coated, surface treated)
2	hydrogel interlayer $\geq 10 \text{ mm}$ thickness
5	silicon Dowsil 791
6	ceramic tape KERAFIX 2000 15 x 4 mm
7	glazing bead $\geq 20 \text{ mm} \times 20/14 \text{ mm}$ , timber 560 kg/m <sup>3</sup>
8	nail $\varnothing 1,6 \times 40 \text{ mm}$ or screw $\varnothing 3,5 \times 40 \text{ mm}$ (50 mm from the corner and every 200 mm)
9	intumescent tape KERAFIX FXL200 20 x 2 mm
10	supporting block 5 mm
11	laminated or solid timber 560 kg/m <sup>3</sup>

#### Allowed supported construction

concrete wall, plasterboard wall

# POLFLAM EI 30 DGU

## Installation of POLFLAM glass in timber structures

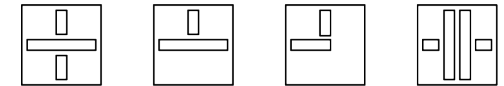


### POLFLAM EI 30 (20 mm) DGU

#### Partition wall

max. glass dimensions	1800 mm x 4200 mm ( $A_{max} = 6,35 \text{ m}^2$ ) - portrait
	3600 mm x 1800 mm ( $A_{max} = 5,45 \text{ m}^2$ ) - landscape

reference document: in development



1	thermally toughened glass $\geq 5$ mm thickness thermally toughened patterned glass $\geq 6$ mm thickness (individual panes can be tinted, coated, surface treated)
2	hydrogel interlayer $\geq 10$ mm thickness
3	spacer $8 \div 20$ mm thickness
4	glass $\geq 4$ mm thickness: - float; - thermally toughened glass (ESG); - laminated glass (VSG); (individual panes can be tinted, coated, surface treated)
5	silicon Dowsil 791
6	ceramic tape KERAFIX 2000 15 x 4 mm
7	glazing bead $\geq 20$ mm x 20/14 mm, timber $560 \text{ kg/m}^3$
8	nail $\varnothing 1,6 \times 40$ mm or screw $\varnothing 3,5 \times 40$ mm (50 mm from the corner and every 200 mm)
9	intumescent tape KERAFIX FXL200 20 x 2 mm
10	supporting block 5 mm
11	laminated or solid timber $560 \text{ kg/m}^3$

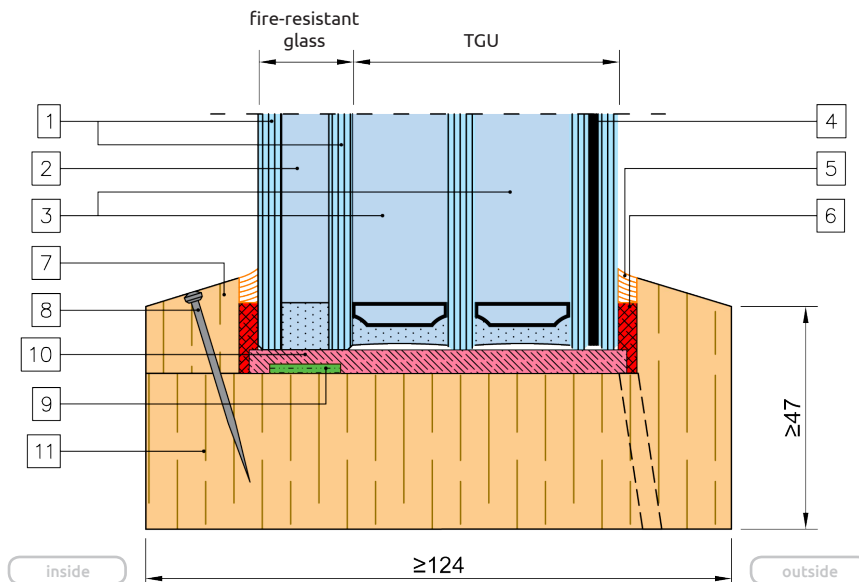
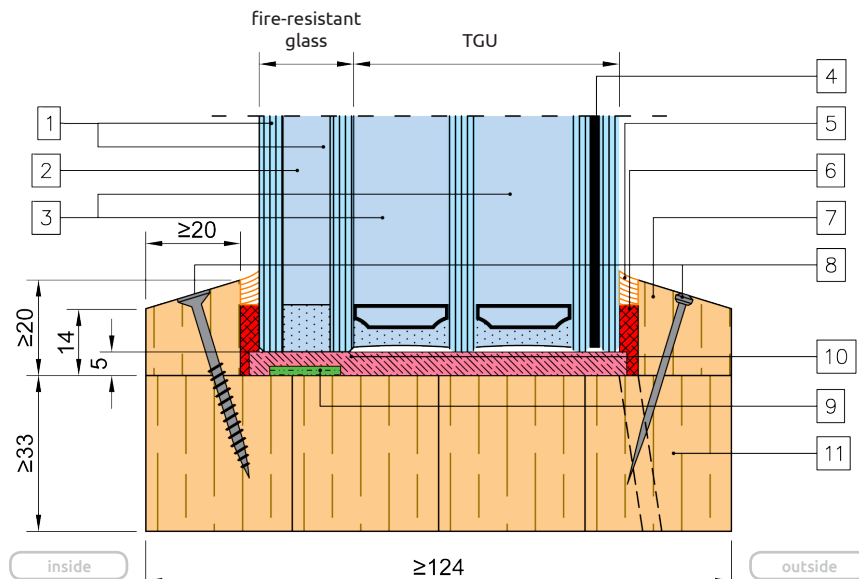
#### Allowed supported construction

concrete wall, plasterboard wall



# POLFLAM EI 30 TGU

## Installation of POLFLAM glass in timber structures



### POLFLAM EI 30 (20 mm) TGU

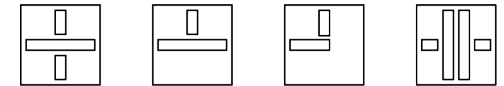
#### Partition wall

#### max. glass dimensions

1800 mm x 4200 mm ( $A_{max} = 6,35 \text{ m}^2$ ) - portrait

3600 mm x 1800 mm ( $A_{max} = 5,45 \text{ m}^2$ ) - landscape

reference document: in development



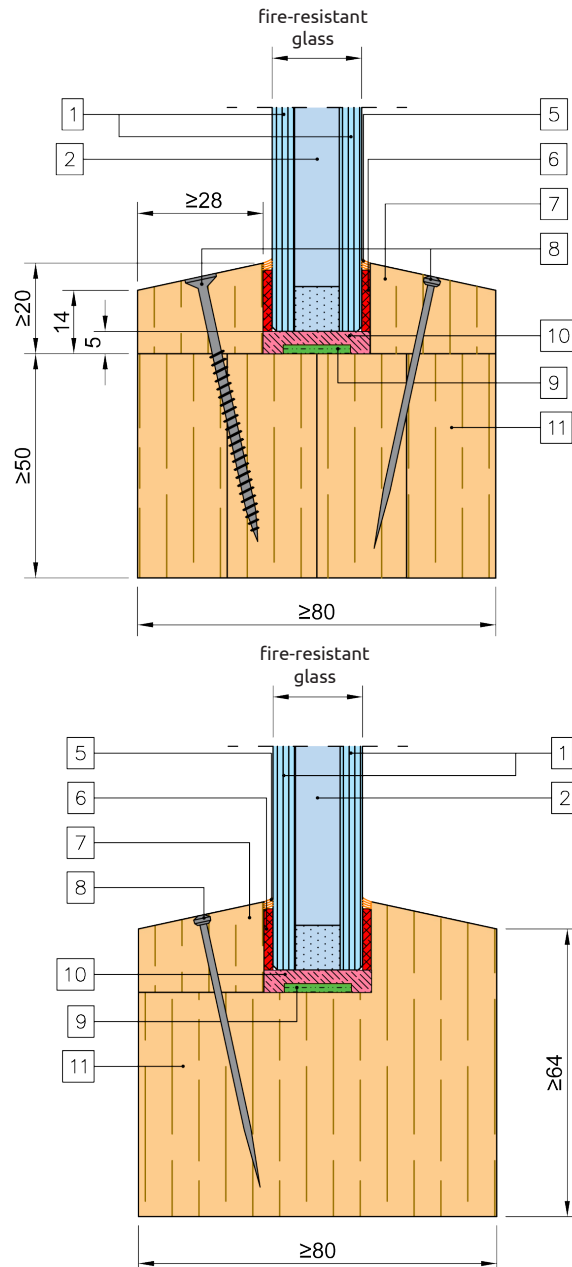
1	thermally toughened glass $\geq 5$ mm thickness thermally toughened patterned glass $\geq 6$ mm thickness (individual panes can be tinted, coated, surface treated)
2	hydrogel interlayer $\geq 10$ mm thickness
3	spacer $8 \div 20$ mm thickness
4	glass $\geq 4$ mm thickness: - float; - thermally toughened glass (ESG); - laminated glass (VSG) (individual panes can be tinted, coated, surface treated)
5	silicon Dowsil 791
6	ceramic tape KERAFIX 2000 15 x 4 mm
7	glazing bead $\geq 20$ mm x 20/14 mm, timber $560 \text{ kg/m}^3$
8	nail $\varnothing 1,6$ x 40 mm or screw $\varnothing 3,5$ x 40 mm (50 mm from the corner and every 200 mm)
9	intumescent tape KERAFIX FXL200 20 x 2 mm
10	supporting block 5 mm
11	laminated or solid timber $560 \text{ kg/m}^3$

#### Allowed supported construction

concrete wall, plasterboard wall

# POLFLAM EI 30

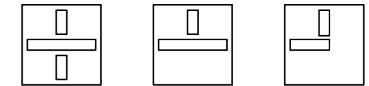
## Installation of POLFLAM glass in timber structures



### POLFLAM EI 30 (20 mm)

#### Partition wall

<b>max. glass dimensions</b>	1500 mm x 3000 mm ( $A_{\max} = 4,5 \text{ m}^2$ ) - portrait
	1500 mm x 3000 mm ( $A_{\max} = 4,5 \text{ m}^2$ ) - landscape
reference document: LZP01-02135/19/Z00NZP	



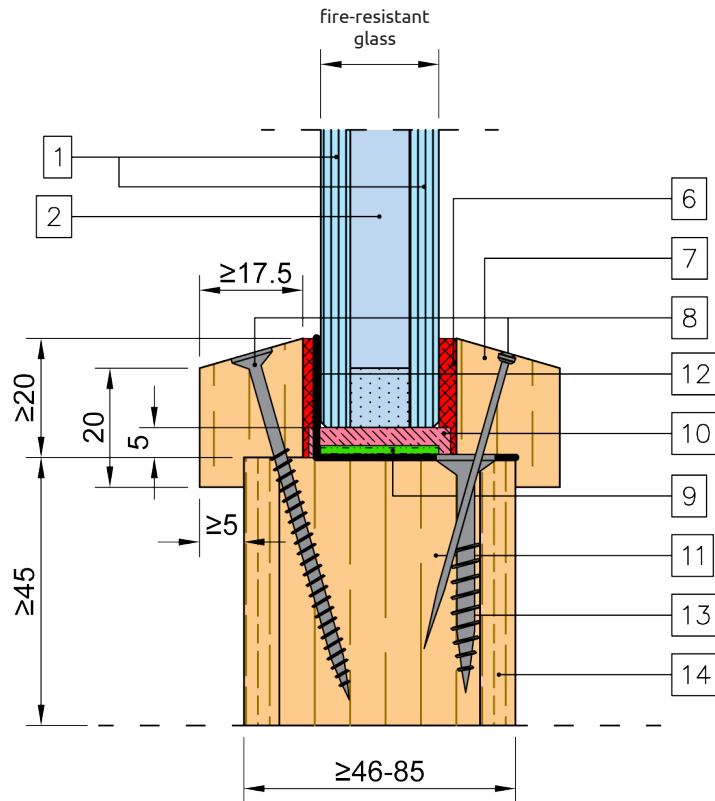
<b>1</b>	thermally toughened glass $\geq 5 \text{ mm}$ thickness thermally toughened patterned glass $\geq 6 \text{ mm}$ thickness (individual panes can be tinted, coated, surface treated)
<b>2</b>	hydrogel interlayer $\geq 10 \text{ mm}$ thickness
<b>5</b>	silicon Dowsil 700 Fire Stop Sealant
<b>6</b>	expanding tape Hanno HANNO Werk
<b>7</b>	glazing bead $\geq 28 \text{ mm} \times 20/14 \text{ mm}$ timber $480 \text{ kg/m}^3$
<b>8</b>	nail $\text{Ø}1,8 \times 60 \text{ mm}$ or screw $\text{Ø}3,5 \times 60 \text{ mm}$ (50 mm from the corner and every 200 mm)
<b>9</b>	tape PROMAT Promaseal-LW 2 x 30 mm
<b>10</b>	supporting block 5 mm
<b>11</b>	laminated or solid timber $480 \text{ kg/m}^3$

#### Allowed supported construction

aerated concrete

# POLFLAM EI 30

## Installation of POLFLAM glass in timber structures



### POLFLAM EI 30 (20 mm)

#### Door

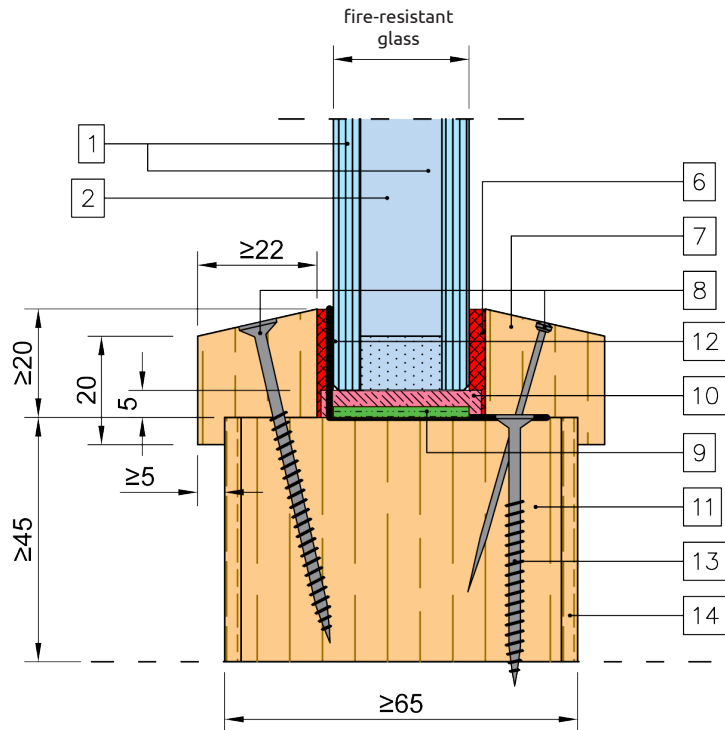
max. glass dimensions	658 mm x 1638 mm - portrait
	658 mm x 1638 mm - landscape
reference document: ITB-KOT-2018/0407	



1	thermally toughened glass $\geq 5$ mm thickness thermally toughened patterned glass $\geq 6$ mm thickness (individual panes can be tinted, coated, surface treated)
2	hydrogel interlayer $\geq 10$ mm thickness
6	ceramic tape KERAFIX 2000 8 x 4 mm, PROMAGLAF-HTI 1100 8 x 4 mm, FIBERFRAX 20 x 4 mm
7	glazing bead $\geq 20$ mm x $\geq 17,5$ mm timber 350 kg/m <sup>3</sup>
8	screw $\varnothing 3$ x 70 mm or nail $\varnothing 1,2$ x 50 (50 mm from the corner and every 200 mm)
9	intumescent tape: PROMAT Promaseal-HT 1,6 mm, Halspan Glazing Seal 10 x 3 mm or 25 x 3mm, Halspan K 3mm, Therm-A-Line 2 mm
10	supporting block 5 mm
11	multi-layer chipboard 530 kg/m <sup>3</sup>
12	glass fixing bracket (according to reference document)
13	screw $\varnothing 5$ x 40 mm
14	HDF board 1÷6 mm 800 kg/m <sup>3</sup>

# POLFLAM EI 45

## Installation of POLFLAM glass in timber structures



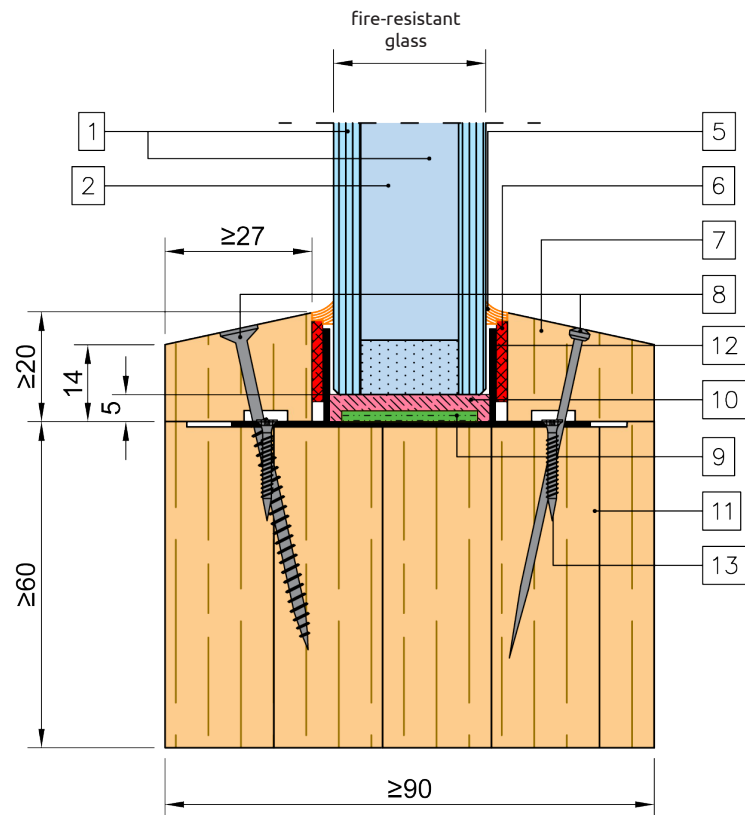
POLFLAM EI 45 (25 mm)	
Door	
max. glass dimensions	907 mm x 1980 mm - portrait
	907 mm x 1980 mm - landscape
reference document: 506/14/Z000NP	



1	thermally toughened glass $\geq 5$ mm thickness thermally toughened patterned glass $\geq 6$ mm thickness (individual panes can be tinted, coated, surface treated)
2	hydrogel interlayer $\geq 15$ mm thickness
6	ceramic tape KERAFIX 2000 8 x 4 mm
7	glazing bead $\geq 20$ mm x $\geq 17,5$ mm timber 350 kg/m <sup>3</sup>
8	screw $\varnothing 3$ x 70 mm or nail $\varnothing 1,2$ x 50 (50 mm from the corner and every 200 mm)
9	intumescent tape PROMAT Promaseal-HT 1,6 x 25 mm
10	supporting block 5 mm
11	multi-layer chipboard 530 kg/m <sup>3</sup>
12	glass fixing bracket (according to reference document)
13	screw $\varnothing 3,5$ x 50 mm
14	HDF board 3 mm 800 kg/m <sup>3</sup>

# POLFLAM EI 60

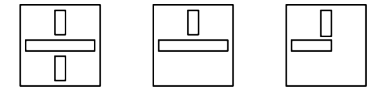
## Installation of POLFLAM glass in timber structures



### POLFLAM EI 60 (28 mm)

#### Partition wall

<b>max. glass dimensions</b>	1500 mm x 3000 mm ( $A_{\max} = 4,5 \text{ m}^2$ ) - portrait
	1500 mm x 3000 mm ( $A_{\max} = 4,5 \text{ m}^2$ ) - landscape
reference document: LZP03-02135/19/Z00NZP	



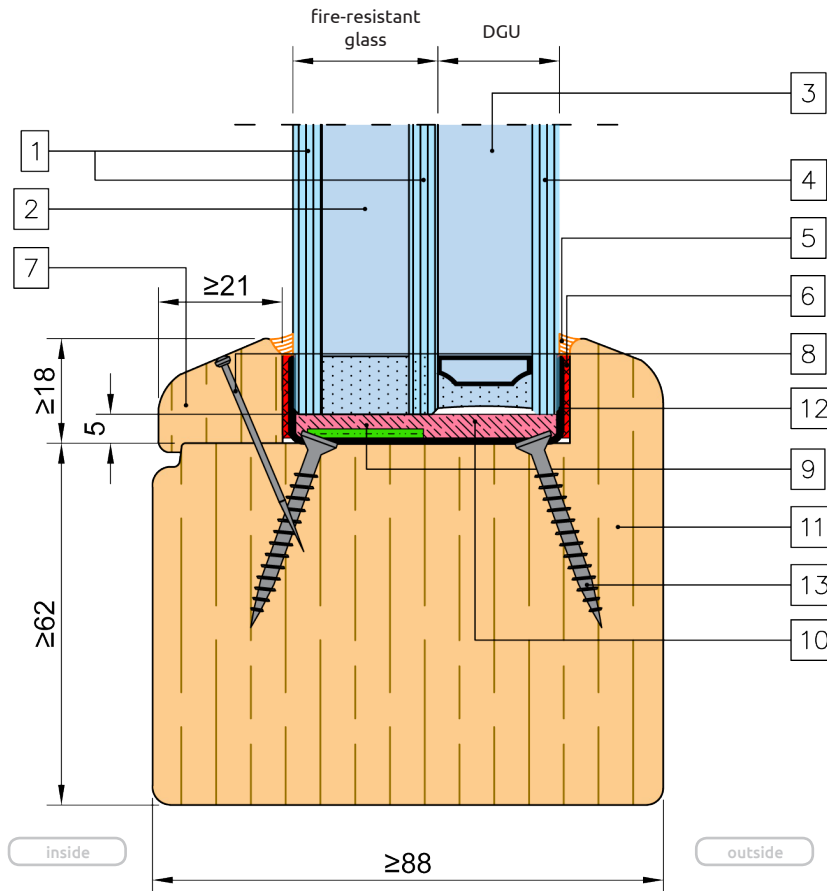
<b>1</b>	thermally toughened glass $\geq 5 \text{ mm}$ thickness thermally toughened patterned glass $\geq 6 \text{ mm}$ thickness (individual panes can be tinted, coated, surface treated)
<b>2</b>	hydrogel interlayer $\geq 18 \text{ mm}$ thickness
<b>5</b>	silicon Dowsil 700 Fire Stop Sealant
<b>6</b>	expanding tape Hanno HANNO Werk
<b>7</b>	glazing bead $\geq 28 \text{ mm} \times 20/14 \text{ mm}$ timber $580 \text{ kg/m}^3$
<b>8</b>	nail $\varnothing 1,8 \times 60 \text{ mm}$ or screw $\varnothing 3,5 \times 60 \text{ mm}$ (50 mm from the corner and every 200 mm)
<b>9</b>	tape PROMAT Promaseal-LW 2 x 30 mm
<b>10</b>	supporting block 5 mm
<b>11</b>	laminated or solid timber $580 \text{ kg/m}^3$
<b>12</b>	stainless steel glazing bracket (100 mm from the corner and every 300 mm)
<b>13</b>	screw $\varnothing 2 \times 20 \text{ mm}$

#### Allowed supported construction

aerated concrete

# POLFLAM EI 60 DGU

## Installation of POLFLAM glass in timber structures



### POLFLAM EI 60 (25 mm) DGU

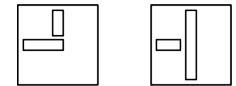
#### Partition wall

#### max. glass dimensions

1526 mm x 1828 mm - portrait

1526 mm x 1828 mm - landscape

reference document: LBO-1228.1/18

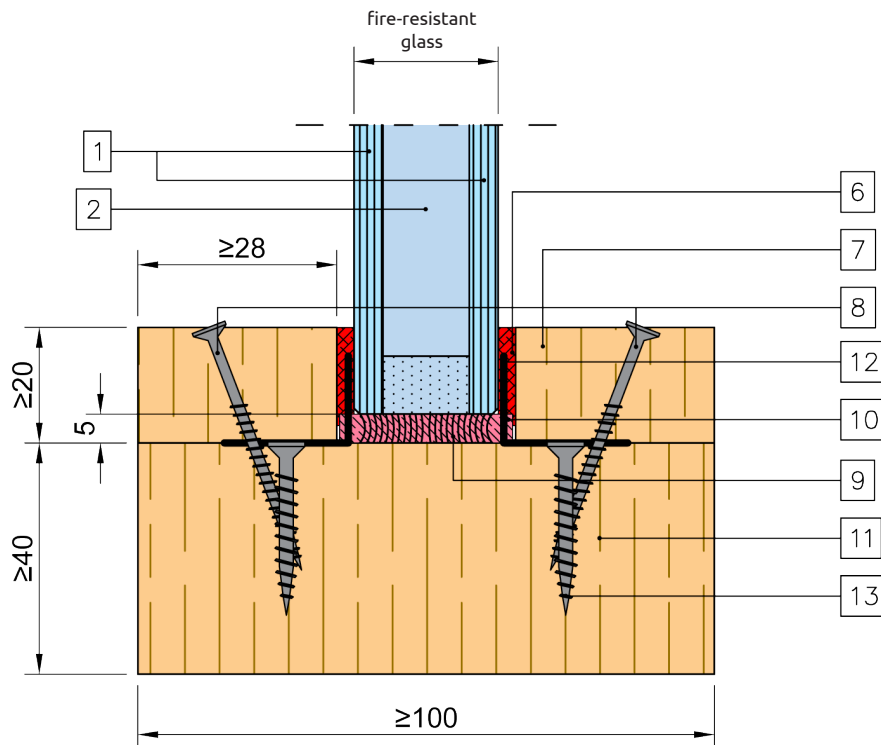


1	thermally toughened glass $\geq 5$ mm thickness thermally toughened patterned glass $\geq 6$ mm thickness (individual panes can be tinted, coated, surface treated)
2	hydrogel interlayer $\geq 15$ mm thickness
3	spacer $8 \div 20$ mm thickness
4	glass $\geq 4$ mm thickness: - float; - thermally toughened glass (ESG); - laminated glass (VSG) (individual panes can be tinted, coated, surface treated)
5	PROMAT Mastic
6	intumescent tape PROMAT Promaseal-LW 1 x 10 mm
7	glazing bead $\geq 21$ mm x 18 mm timber $700 \text{ kg/m}^3$
8	nail $\text{Ø}1,1 \times 1,1 \times 35$ mm (50 mm from the corner and every 200 mm)
9	intumescent tape PROMAT Promaseal-LW 2 x 28 mm
10	supporting block 3 mm
11	laminated or solid timber $700 \text{ kg/m}^3$
12	glass fixing bracket (150 mm from the corner and every 350 mm)
13	screw $\text{Ø}4 \times 35$ mm

**Allowed supported construction:** aerated concrete

# POLFLAM EI 60

## Installation of POLFLAM glass in timber structures



### POLFLAM EI 60 (25 mm)

#### Partition wall

max. glass dimensions	1090 mm x 2290 mm - portrait
	1090 mm x 2290 mm - landscape
reference document: AT-15-5216/2015	



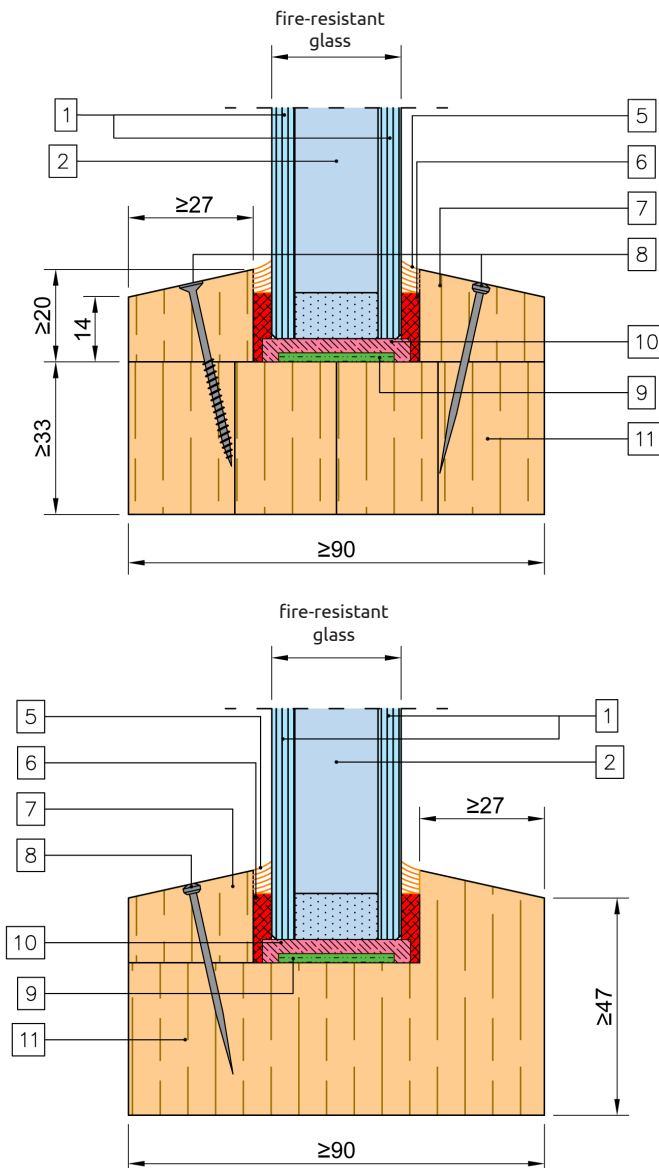
1	thermally toughened glass $\geq 5$ mm thickness thermally toughened patterned glass $\geq 6$ mm thickness (individual panes can be tinted, coated, surface treated)
2	hydrogel interlayer $\geq 15$ mm thickness
6	ceramic tape Gluske 6 x 17 mm
7	glazing bead $\geq 20$ mm x $\geq 28$ mm timber 650 kg/m <sup>3</sup>
8	screw $\varnothing 3$ x 45 mm
9	fireproof seal: PROMAT Promaseal mastic, Den Braven Pyrocryl, DenBraven Pyropol, Pyroplex AC4
10	supporting block 5 mm
11	multi-layer plywood profile 650 kg/m <sup>3</sup>
12	glass fixing bracket (50 mm from the corner and every 150 mm)
13	screw $\varnothing 4$ x 30 mm

#### Allowed supported construction

wall of ceramic, concrete or silicate bricks, wall of concrete and reinforced concrete,  
wall of cellular bricks or perforated bricks, plasterboard wall

# POLFLAM EI 60

## Installation of POLFLAM glass in timber structures



### POLFLAM EI 60 (28 mm)

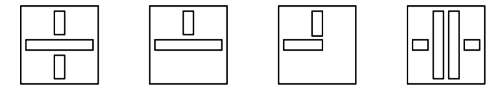
#### Partition wall

#### max. glass dimensions

1800 mm x 4200 mm ( $A_{\max} = 6,35 \text{ m}^2$ ) - portrait

3600 mm x 1800 mm ( $A_{\max} = 5,45 \text{ m}^2$ ) - landscape

reference document: in development



1	thermally toughened glass $\geq 5$ mm thickness thermally toughened patterned glass $\geq 6$ mm thickness (individual panes can be tinted, coated, surface treated)
2	hydrogel interlayer $\geq 18$ mm thickness
5	silicon Dowsil 791
6	ceramic tape KERAFIX 2000 15 x 4 mm
7	glazing bead $\geq 20$ mm x 27/14 mm, timber 650 kg/m <sup>3</sup>
8	nail $\varnothing 1,6$ x 40 mm or screw $\varnothing 3,5$ x 40 mm (50 mm from the corner and every 200 mm)
9	intumescent tape KERAFIX FXL200 30 x 2 mm
10	supporting block 5 mm
11	laminated or solid timber 650 kg/m <sup>3</sup>

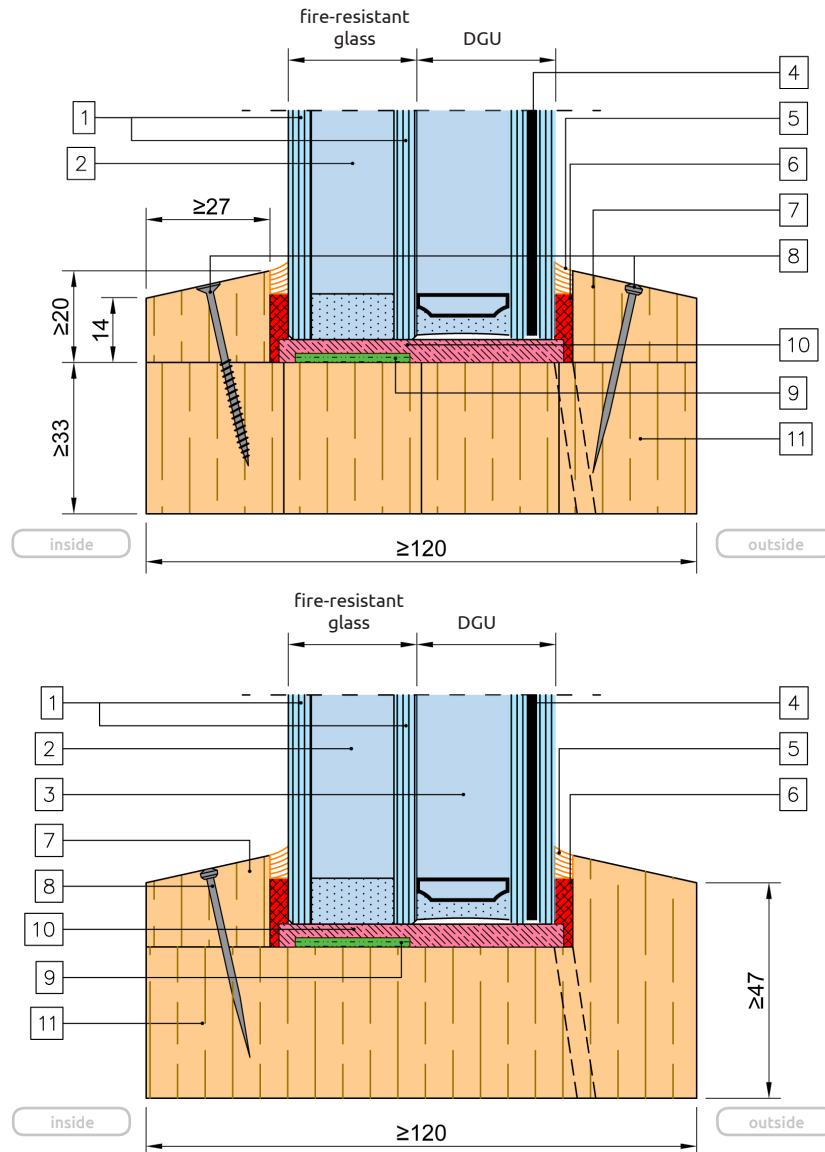
#### Allowed supported construction

concrete wall, plasterboard wall



# POLFLAM EI 60 DGU

## Installation of POLFLAM glass in timber structures



### POLFLAM EI 60 (28 mm) DGU

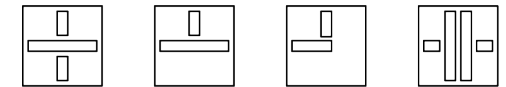
#### Partition wall

#### max. glass dimensions

1800 mm x 4200 mm ( $A_{\max} = 6,35 \text{ m}^2$ ) - portrait

3600 mm x 1800 mm ( $A_{\max} = 5,45 \text{ m}^2$ ) - landscape

reference document: in development



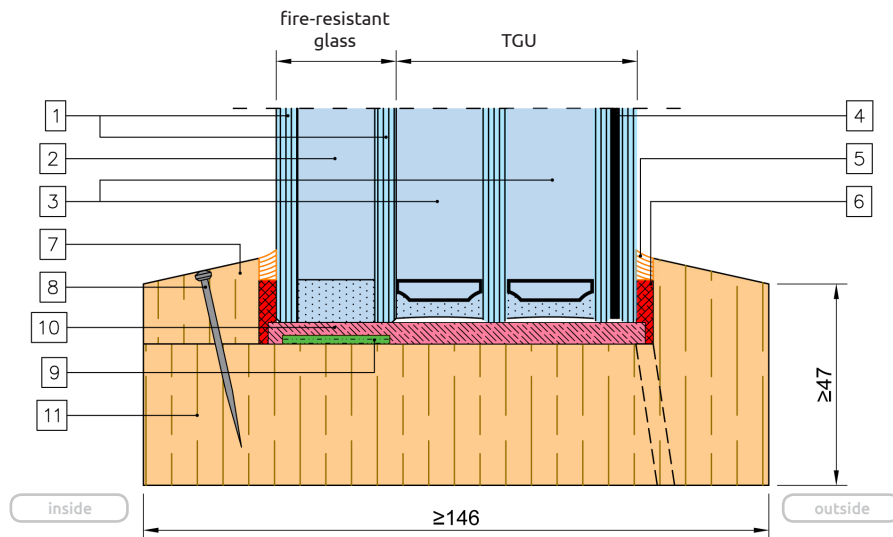
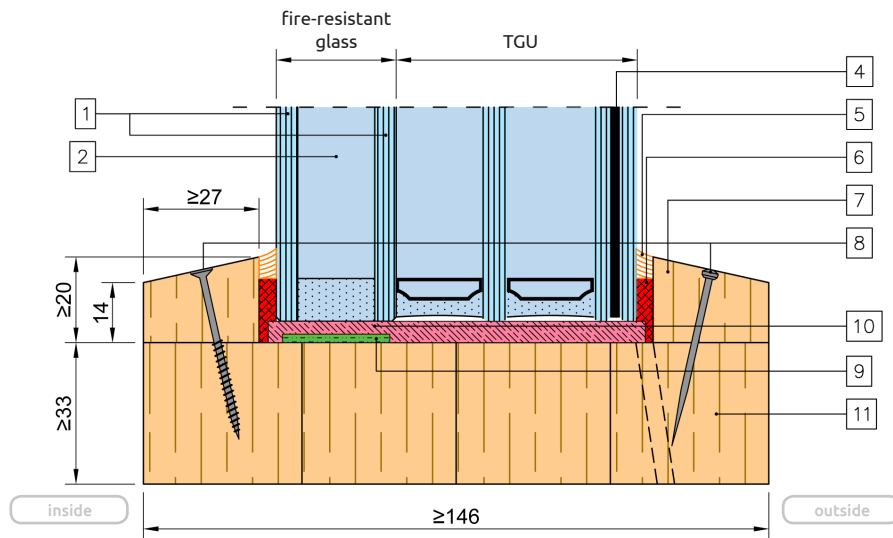
1	thermally toughened glass $\geq 5$ mm thickness thermally toughened patterned glass $\geq 6$ mm thickness (individual panes can be tinted, coated, surface treated)
2	hydrogel interlayer $\geq 18$ mm thickness
3	spacer $8 \div 20$ mm thickness
4	glass $\geq 4$ mm thickness: - float; - thermally toughened glass (ESG); - laminated glass (VSG); (individual panes can be tinted, coated, surface treated)
5	silicon Dowsil 791
6	ceramic tape KERAFIX 2000 15 x 4 mm
7	glazing bead $\geq 20$ mm x 27/14 mm, timber $650 \text{ kg/m}^3$
8	nail $\varnothing 1,6 \times 40$ mm or screw $\varnothing 3,5 \times 40$ mm (50 mm from the corner and every 200 mm)
9	intumescent tape KERAFIX FXL200 30 x 2 mm
10	supporting block 5 mm
11	laminated or solid timber $650 \text{ kg/m}^3$

#### Allowed supported construction

concrete wall, plasterboard wall

# POLFLAM EI 60 TGU

## Installation of POLFLAM glass in timber structures

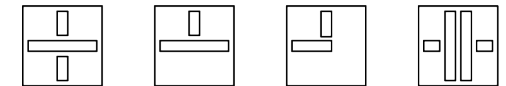


### POLFLAM EI 60 (28 mm) TGU

#### Partition wall

<b>max. glass dimensions</b>	1800 mm x 4200 mm ( $A_{max} = 6,35 \text{ m}^2$ ) - portrait
	3600 mm x 1800 mm ( $A_{max} = 5,45 \text{ m}^2$ ) - landscape

reference document: in development



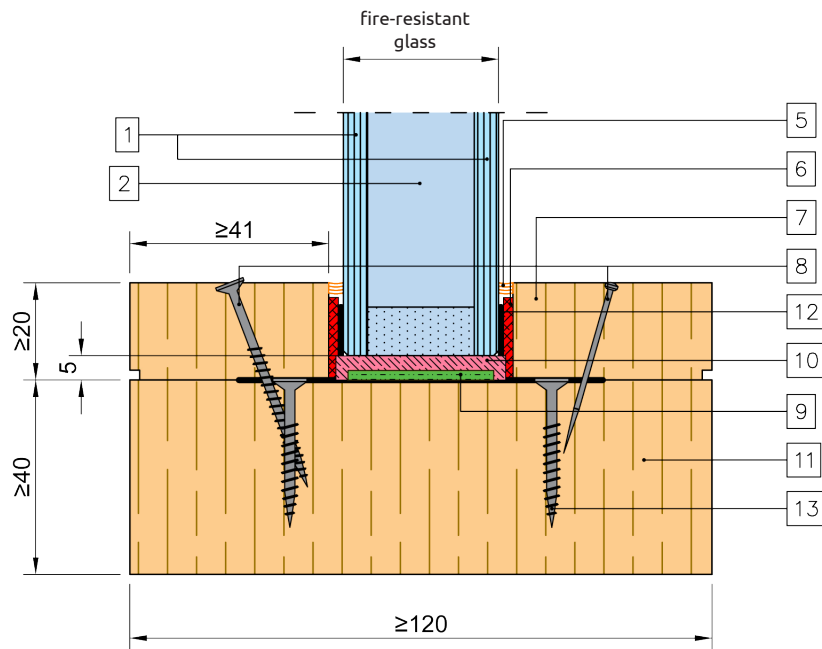
<b>1</b>	thermally toughened glass $\geq 5$ mm thickness thermally toughened patterned glass $\geq 6$ mm thickness (individual panes can be tinted, coated, surface treated)
<b>2</b>	hydrogel interlayer $\geq 18$ mm thickness
<b>3</b>	spacer $8 \div 20$ mm thickness
<b>4</b>	glass $\geq 4$ mm thickness: - float; - thermally toughened glass (ESG); - laminated glass (VSG); (individual panes can be tinted, coated, surface treated)
<b>5</b>	silicon Dowsil 791
<b>6</b>	ceramic tape KERAFIX 2000 15 x 4 mm
<b>7</b>	glazing bead $\geq 20$ mm x 27/14 mm, timber $650 \text{ kg/m}^3$
<b>8</b>	nail $\varnothing 1,6 \times 40$ mm or screw $\varnothing 3,5 \times 40$ mm (50 mm from the corner and every 200 mm)
<b>9</b>	intumescent tape KERAFIX FXL200 30 x 2 mm
<b>10</b>	supporting block 5 mm
<b>11</b>	laminated or solid timber $650 \text{ kg/m}^3$

#### Allowed supported construction

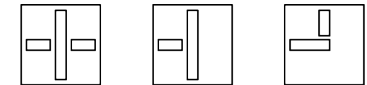
concrete wall, plasterboard wall

# POLFLAM EI 90

## Installation of POLFLAM glass in timber structures



POLFLAM EI 90 (32 mm)	
Partition wall	
max. glass dimensions	270 mm x 1625 mm - portrait
reference document: EFR-17-V-002021	

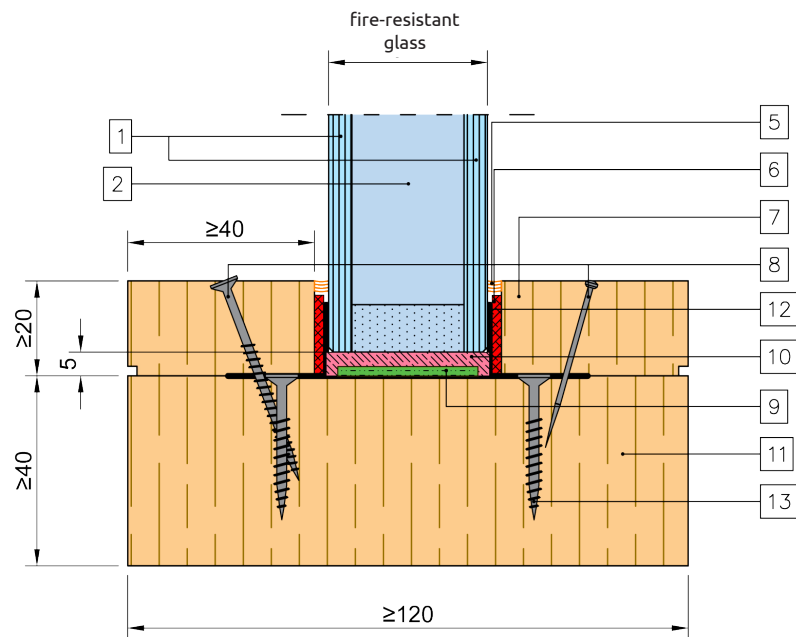


1	thermally toughened glass $\geq 5$ mm thickness thermally toughened patterned glass $\geq 6$ mm thickness (individual panes can be tinted, coated, surface treated)
2	hydrogel interlayer $\geq 22$ mm thickness
5	silicon PROMAT Systemglas
6	ceramic tape KERAFIX 2000 2 x 15 mm
7	glazing bead $\geq 20$ mm x $\geq 41$ mm timber 520 kg/m <sup>3</sup>
8	screw $\varnothing 3$ x 45 mm or nail $\varnothing 1$ x 35 (50 mm from the corner and every 200 mm)
9	intumescent tape or Kerafix FXL 200 2 x 30 mm
10	supporting block PROMAT Flami 12 3 x 29 x 80 mm
11	laminated or solid timber 520 kg/m <sup>3</sup>
12	glass fixing bracket (50 mm from the corner and every 200 mm)
13	screw $\varnothing 3,5$ x 30 mm

Allowed supported construction	
concrete	

# POLFLAM EI 90

## Installation of POLFLAM glass in timber structures



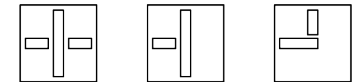
### POLFLAM EI 90 (34 mm)

#### Partition wall

#### max. glass dimensions

2150 mm x 3300 mm - portrait

reference document: EFR-17-V-002021



1	thermally toughened glass $\geq 6$ mm thickness thermally toughened patterned glass $\geq 6$ mm thickness (individual panes can be tinted, coated, surface treated)
2	hydrogel interlayer $\geq 22$ mm thickness
5	silicon PROMAT Systemglas
6	ceramic tape KERAFIX 2000 2 x 15 mm
7	glazing bead $\geq 20$ mm x $\geq 40$ mm timber 520 kg/m <sup>3</sup>
8	screw $\varnothing 3$ x 45 mm or nail $\varnothing 1$ x 35 (50 mm from the corner and every 200 mm)
9	intumescent tape or Kerafix FXL 200 2 x 30 mm
10	supporting block PROMAT Flami 12 3 x 29 x 80 mm
11	laminated or solid timber 520 kg/m <sup>3</sup>
12	glass fixing bracket (50 mm from the corner and every 200 mm)
13	screw $\varnothing 3,5$ x 30 mm

#### Allowed supported construction

concrete

## POLFLAM BR glass for frameless applications

POLFLAM BR glass allows you to create a transparent firewall without vertical posts (butt-joint glazing) with a height of up to 4200 mm and an unlimited length.

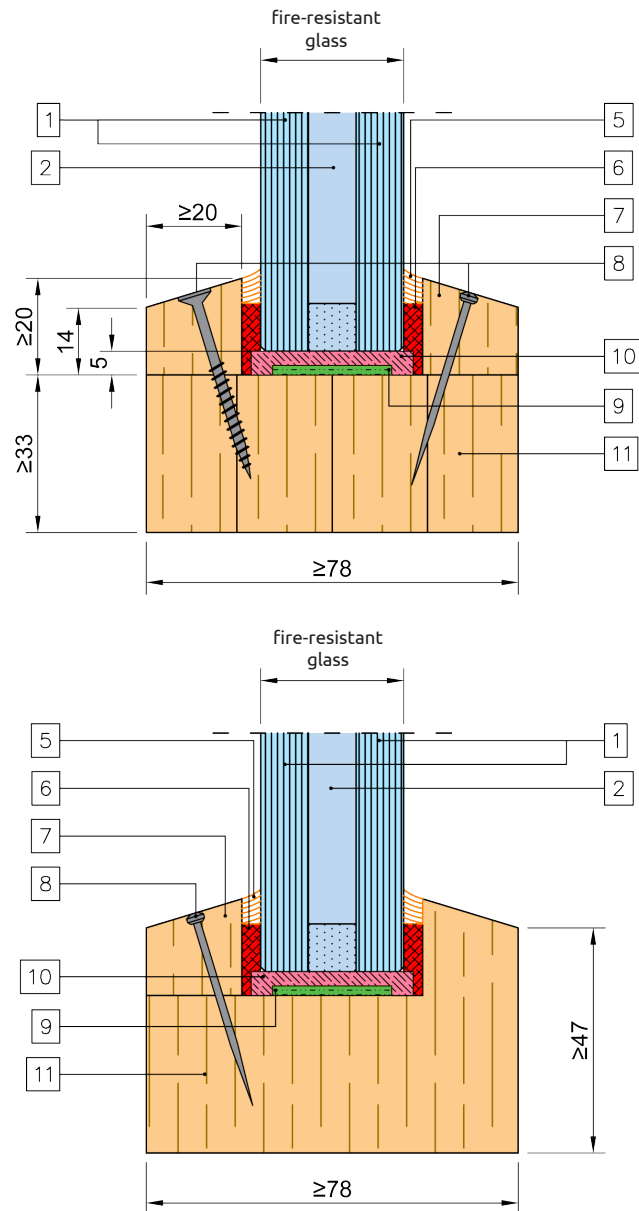
The frameless installation system makes it possible to supplement the partition with glazed fireproof doors or door without fire-resistance.

POLFLAM BR glass	EI 30	EI 60	EI 90*	EI 120*
Thickness [mm]	30	35	45	50
Weight [kg/m <sup>2</sup> ]	65	69	82	90
Light transmittance [Lt%]	84,9	84,5	83,8	81
<b>Sound reduction R<sub>w</sub> [dB]</b>	<b>43</b>	<b>44</b>	<b>47</b>	<b>46</b>
Safety class	1/B/1 (according to PN-EN 12600)			
Operating temperature range	-40°C / +50°C			
Bent glass	yes			

\* Tests for resistance to fire are possible to conduct.

# POLFLAM BR EI 30

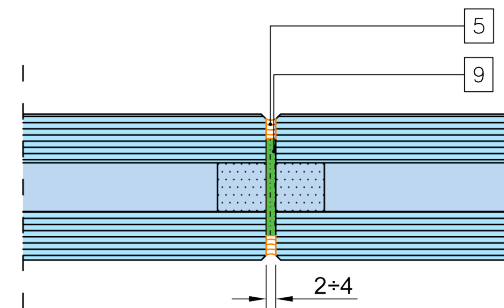
## Installation of POLFLAM glass in timber structures



### POLFLAM BR EI 30 (30 mm)

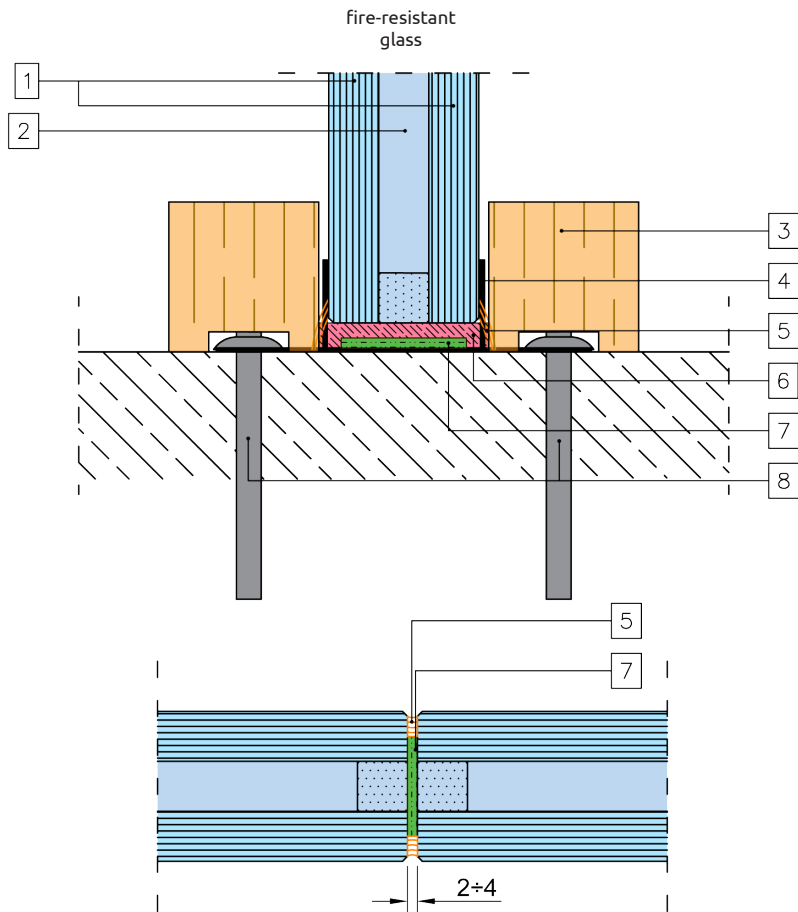
#### Partition wall

max. glass dimensions	2400 mm x 4200 mm ( $A_{\max} = 8,47 \text{ m}^2$ ) - portrait
	2400 mm x 4200 mm ( $A_{\max} = 8,47 \text{ m}^2$ ) - landscape
reference document: in development	
1	thermally toughened glass $\geq 10$ mm thickness (individual panes can be tinted, coated, surface treated)
2	hydrogel interlayer $\geq 10$ mm thickness
5	silicon Dowsil 791
6	ceramic tape KERAFIX 2000 15 x 4 mm
7	glazing bead $\geq 20$ mm x 20/14 mm, timber 560 kg/m <sup>3</sup>
8	nail $\varnothing 1,6$ x 40 mm or screw $\varnothing 3,5$ x 40 mm (50 mm from the corner and every 200 mm)
9	intumescent tape KERAFIX FXL200 20 x 2 mm
10	supporting block 5 mm
11	laminated or solid timber 560 kg/m <sup>3</sup>



# POLFLAM BR EI 30

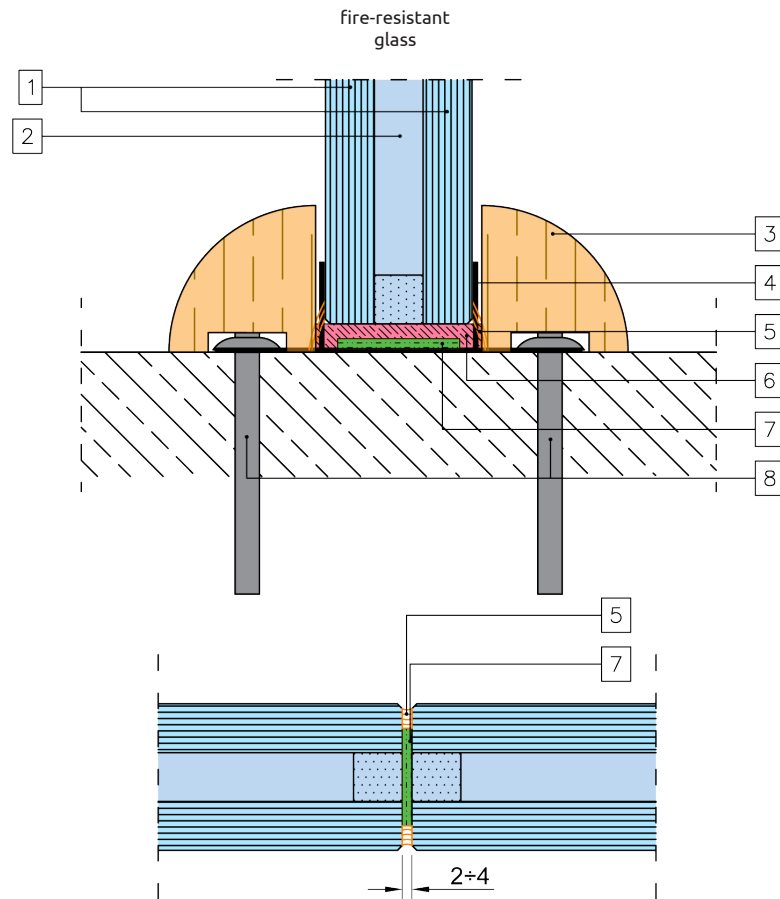
## Installation of POLFLAM BR glass with decorative wooden batten



POLFLAM BR EI 30 (30 mm)	
Partition wall	
max. glass dimensions	2200 mm x 4200 mm - portrait
	2200 mm x 4200 mm - landscape
reference document: LBO-731/15	
1	thermally toughened glass $\geq 10$ mm thickness (individual panes can be tinted, coated, surface treated)
2	hydrogel interlayer $\geq 10$ mm thickness
3	timber profile - 650 kg/m <sup>3</sup>
4	glass fixing bracket (100 mm from the corner and every 400 mm)
5	silicone: 1) PROMAT Systemglas 2) DOW Corning Firestop 700
6	supporting block 5 mm
7	intumescent tape: 1) PYROPLEX 2 x 22,2 mm 2) KERAFIX Flexpan 2 x 30 mm 3) PROMAT 2 x 30 mm
8	hammer drive anchor $\varnothing 6$ x 50 mm or screw WSPC $\varnothing 4.2$ x 40mm
Allowed supported construction	
wall of solid bricks, wall of concrete and reinforced concrete, wall of cellular bricks or perforated bricks, plasterboard wall	

# POLFLAM BR EI 30

## Installation of POLFLAM BR glass with decorative wooden batten

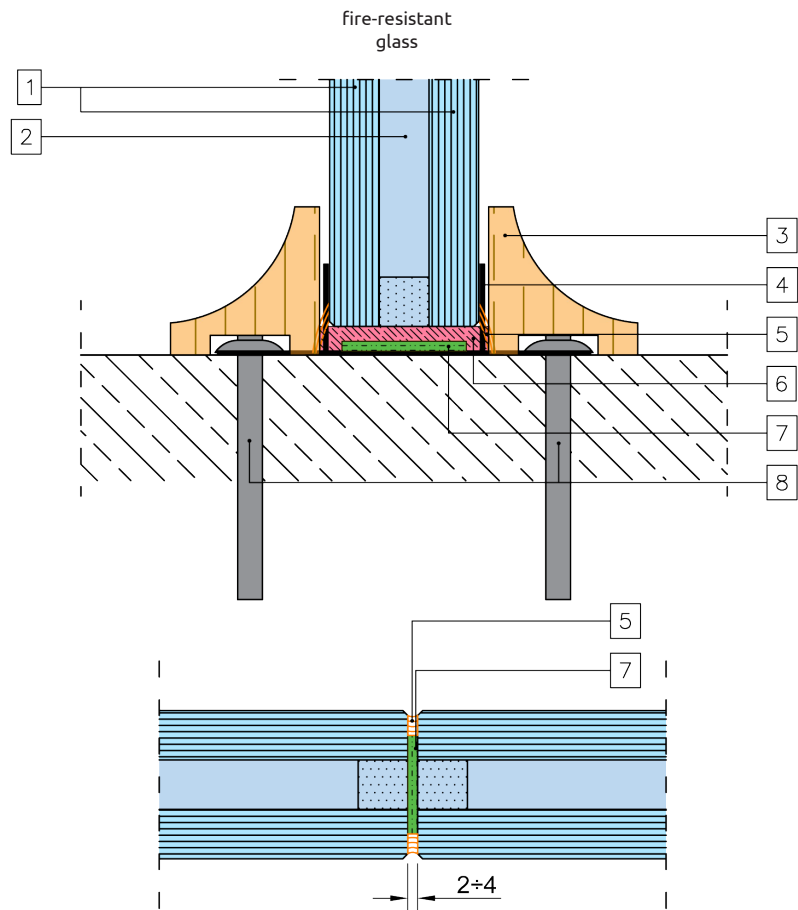


POLFLAM BR EI 30 (30 mm)	
Partition wall	
<b>max. glass dimensions</b>	2200 mm x 4200 mm - portrait
	2200 mm x 4200 mm - landscape
reference document: LBO-731/15	
<b>1</b>	thermally toughened glass $\geq 10$ mm thickness (individual panes can be tinted, coated, surface treated)
<b>2</b>	hydrogel interlayer $\geq 10$ mm thickness
<b>3</b>	timber profile - $650 \text{ kg/m}^3$
<b>4</b>	glass fixing bracket (100 mm from the corner and every 400 mm)
<b>5</b>	silicone: 1) PROMAT Systemglas 2) DOW Corning Firestop 700
<b>6</b>	supporting block 5 mm
<b>7</b>	intumescent tape: 1) PYROPLEX 2 x 22,2 mm 2) KERAFIX Flexpan 2 x 30 mm 3) PROMAT 2 x 30 mm
<b>8</b>	hammer drive anchor $\text{\O}6 \times 50$ mm or screw WSPC $\text{\O}4.2 \times 40$ mm
Allowed supported construction	
wall of solid bricks, wall of concrete and reinforced concrete, wall of cellular bricks or perforated bricks, plasterboard wall	



# POLFLAM BR EI 30

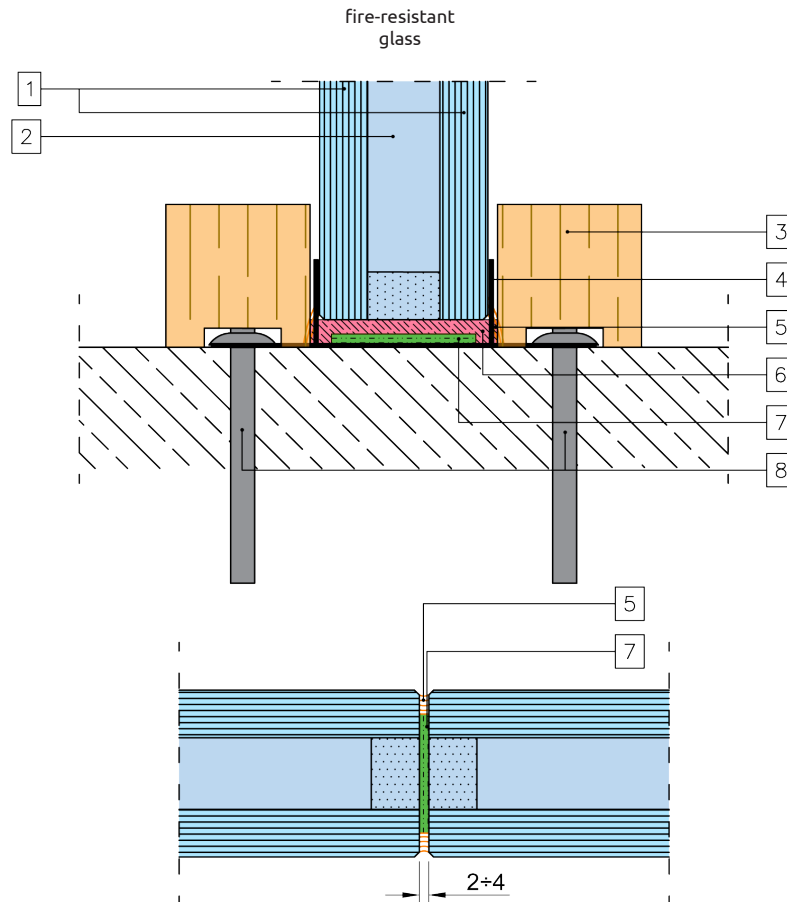
## Installation of POLFLAM BR glass with decorative wooden batten



POLFLAM BR EI 30 (30 mm)	
Partition wall	
max. glass dimensions	2200 mm x 4200 mm - portrait
	2200 mm x 4200 mm - landscape
reference document: LBO-731/15	
1	thermally toughened glass $\geq 10$ mm thickness (individual panes can be tinted, coated, surface treated)
2	hydrogel interlayer $\geq 10$ mm thickness
3	timber profile - 650 kg/m <sup>3</sup>
4	glass fixing bracket (100 mm from the corner and every 400 mm)
5	silicone: 1) PROMAT Systemglas 2) DOW Corning Firestop 700
6	supporting block 5 mm
7	intumescent tape: 1) PYROPLEX 2 x 22,2 mm 2) KERAFIX Flexpan 2 x 30 mm 3) PROMAT 2 x 30 mm
8	hammer drive anchor $\varnothing 6$ x 50 mm or screw WSPC $\varnothing 4.2$ x 40mm
Allowed supported construction	
wall of solid bricks, wall of concrete and reinforced concrete, wall of cellular bricks or perforated bricks, plasterboard wall	

# POLFLAM BR EI 60

## Installation of POLFLAM BR glass with decorative wooden batten



### POLFLAM BR EI 60 (35 mm)

#### Partition wall

<b>max. glass dimensions</b>	2200 mm x 3850 mm ( $A_{\max} = 7,70 \text{ m}^2$ ) - portrait
	2200 mm x 3850 mm ( $A_{\max} = 7,70 \text{ m}^2$ ) - landscape
reference document: LBO-1343/19	

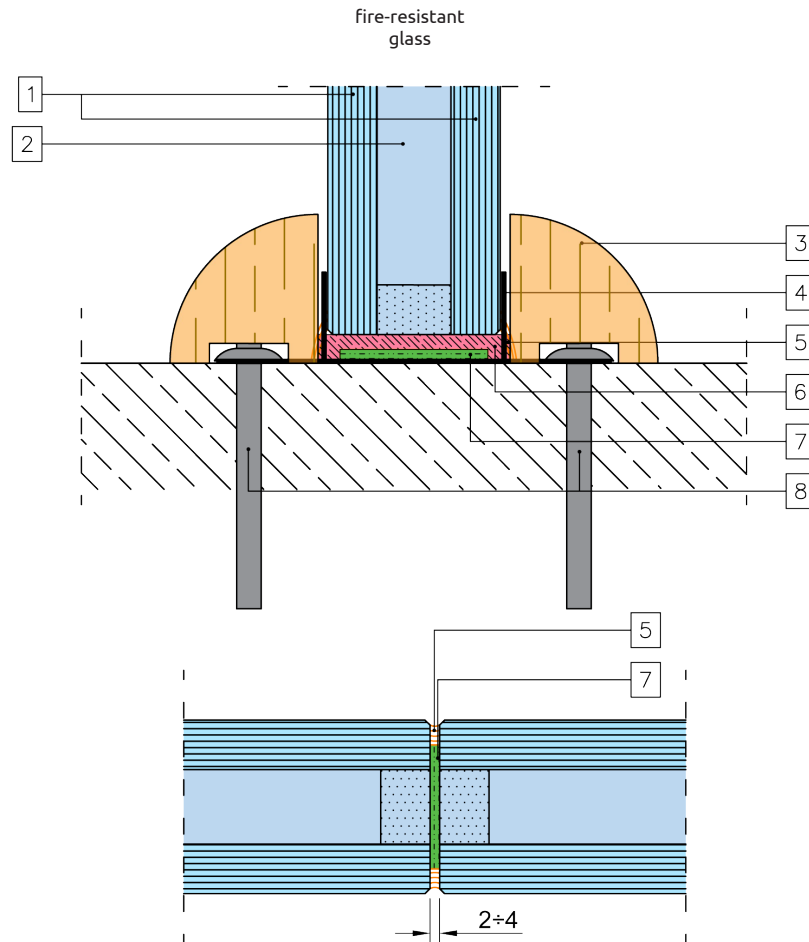
<b>1</b>	thermally toughened glass $\geq 10$ mm thickness (individual panes can be tinted, coated, surface treated)
<b>2</b>	hydrogel interlayer $\geq 15$ mm thickness
<b>3</b>	timber profile - $650 \text{ kg/m}^3$
<b>4</b>	glass fixing bracket (100 mm from the corner and every 400 mm)
<b>5</b>	silicone: 1) PROMAT Systemglas 2) DOW Corning Firestop 700
<b>6</b>	supporting block 5 mm
<b>7</b>	intumescent tape: 1) PYROPLEX 2 x 22,2 mm 2) KERAFIX Flexpan 2 x 30 mm 3) PROMAT 2 x 30 mm
<b>8</b>	hammer drive anchor $\varnothing 6 \times 50$ mm or screw WSPC $\varnothing 4.2 \times 40$ mm

#### Allowed supported construction

wall of solid bricks, wall of concrete and reinforced concrete,  
wall of cellular bricks or perforated bricks, plasterboard wall

# POLFLAM BR EI 60

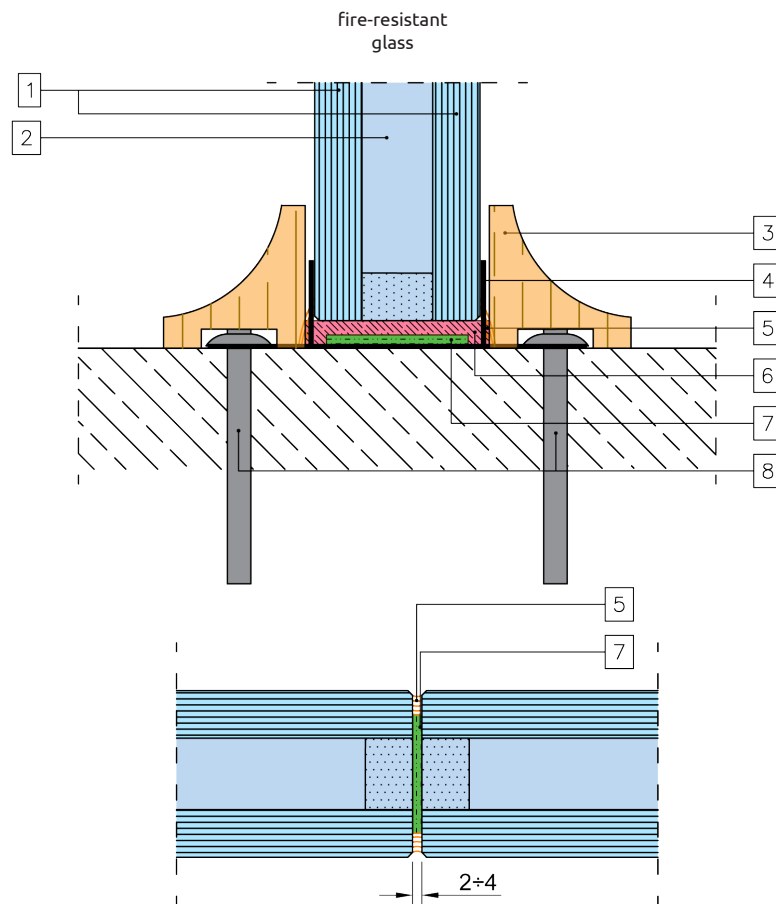
## Installation of POLFLAM BR glass with decorative wooden batten



POLFLAM BR EI 60 (35 mm)	
Partition wall	
<b>max. glass dimensions</b>	2200 mm x 3850 mm ( $A_{\max} = 7,70 \text{ m}^2$ ) - portrait
	2200 mm x 3850 mm ( $A_{\max} = 7,70 \text{ m}^2$ ) - landscape
reference document: LBO-1343/19	
<b>1</b>	thermally toughened glass $\geq 10\text{mm}$ thickness (individual panes can be tinted, coated, surface treated)
<b>2</b>	hydrogel interlayer $\geq 15 \text{ mm}$ thickness
<b>3</b>	timber profile - $650 \text{ kg/m}^3$
<b>4</b>	glass fixing bracket (100 mm from the corner and every 400 mm)
<b>5</b>	silicone: 1) PROMAT Systemglas 2) DOW Corning Firestop 700
<b>6</b>	supporting block 5 mm
<b>7</b>	intumescent tape: 1) PYROPLEX 2 x 22,2 mm 2) KERAFIX Flexpan 2 x 30 mm 3) PROMAT 2 x 30 mm
<b>8</b>	hammer drive anchor $\varnothing 6 \times 50 \text{ mm}$ or screw WSPC $\varnothing 4.2 \times 40\text{mm}$
Allowed supported construction	
wall of solid bricks, wall of concrete and reinforced concrete, wall of cellular bricks or perforated bricks, plasterboard wall	

# POLFLAM BR EI 60

## Installation of POLFLAM BR glass with decorative wooden batten



### POLFLAM BR EI 60 (35 mm)

#### Partition wall

#### max. glass dimensions

2200 mm x 3850 mm ( $A_{max} = 7,70 \text{ m}^2$ ) - portrait

2200 mm x 3850 mm ( $A_{max} = 7,70 \text{ m}^2$ ) - landscape

reference document: LBO-1343/19

1	thermally toughened glass $\geq 10$ mm thickness (individual panes can be tinted, coated, surface treated)
2	hydrogel interlayer $\geq 15$ mm thickness
3	timber profile - $650 \text{ kg/m}^3$
4	glass fixing bracket (100 mm from the corner and every 400 mm)
5	silicone: 1) PROMAT Systemglas 2) DOW Corning Firestop 700
6	supporting block 5 mm
7	intumescent tape: 1) PYROPLEX 2 x 22,2 mm 2) KERAFIX Flexpan 2 x 30 mm 3) PROMAT 2 x 30 mm
8	hammer drive anchor $\text{\O}6 \times 50$ mm or screw WSPC $\text{\O}4.2 \times 40$ mm

#### Allowed supported construction

wall of solid bricks, wall of concrete and reinforced concrete,  
wall of cellular bricks or perforated bricks, plasterboard wall



INTERIORS



WINDOWS  
AND DOORS

**POLFLAM**<sup>®</sup>  
FIRE RESISTANT GLASS

POLFLAM sp. z o.o.  
ul. Solidarności 1, Runów  
05-504 Złotokłos, Poland  
Phone: +48 22 726 92 17  
E-mail: [info@polflam.com](mailto:info@polflam.com),  
[export@polflam.com](mailto:export@polflam.com)  
[www.polflam.com](http://www.polflam.com)